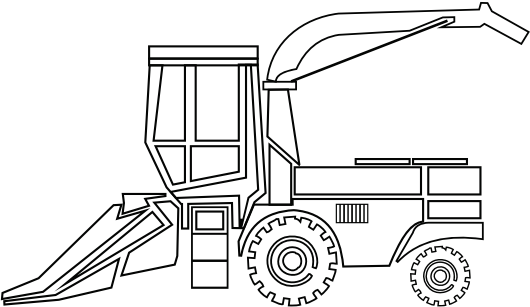
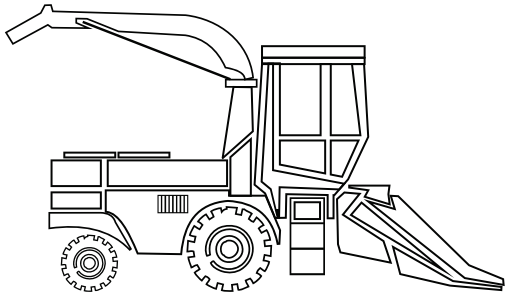


BILL OF LADING #: _____	
LOAD #: _____	DATE: _____
DRIVER: _____	CARRIER: _____
DL #: _____	PREPAID: _____
	INVOICE : _____
	COLLECT: _____

RECEIVED SUBJECT TO THE TERMS AND CONDITIONS OF THIS BILL OF LADING AND ALL TARIFFS IN EFFECT AT THE TIME OF SHIPMENT:

PICK UP FROM:	DELIVER TO:
Company/Name: _____	Company/Name: _____
Address: _____	Address: _____
City & State: _____	City & State: _____
Office Ph/Other: _____	Office Ph/Other: _____

THE EQUIPMENT MAY ACQUIRE SMALL SCRATCHES, SCUFFS, DENTS OR ABRASIONS DURING TRANSPORT . THE CARRIER CAN NOT BE LIABLE FOR MINOR DAMAGE OF THIS NATURE WHICH IS CONSIDERED TO BE THE RESULT OF NATURAL WEAR AND TEAR. THE INSPECTION REPRESENTS A GENERAL OVERALL CONDITION AND IS NOT ALL INCLUSIVE.

 	Year: _____ Make: _____ Model: _____ Color: _____ Mileage: _____ Keys: _____ Remotes: _____ Owner's Manual? _____ VIN: _____
--	--

Special Instructions/Observations:

THE CARRIER DOES NOT GUARANTEE DELIVERY ON ANY PARTICULAR SCHEDULE.

EQUIPMENT TRANSPORTED AND COVERED BY THIS BILL OF LADING SERVE AS COLLATERAL WITH A SECURITY INTEREST POSITION IN FAVOR OF THE CARRIER UNTIL ALL CHARGES ARE PAID AND ALL MONIES DUE COLLECTED. I have read this Bill of Lading and understand the conditions of this contract _____ (initials).

NOTICE - The Owners or Authorized agents signature at origin is also for the following RELEASE: This will authorize Carrier to drive the equipment at origin or at destination between the points of loading/unloading and the point(s) of pick-up/delivery. I have reviewed and inspected my equipment, with no damages, except as noted above and thereby release the carrier from any further claims.

AT ORIGIN	AT DESTINATION
CARRIER OF AUTHORIZED AGENT (DRIVER)	CARRIER OF AUTHORIZED AGENT (DRIVER)
SIGNATURE: _____ DATE: _____	SIGNATURE: _____ DATE: _____
OWNER OR AUTHORIZED AGENT	OWNER OR AUTHORIZED AGENT
SIGNATURE: _____ DATE: _____	SIGNATURE: _____ DATE: _____

PLEASE INSPECT THE EQUIPMENT AT TIME OF DELIVERY AND REPORT AND RECORD ANY DAMAGES TO OUR DRIVER. COMPANY WILL NOT HONOR CLAIMS MADE AFTER DELIVERY INSPECTION.